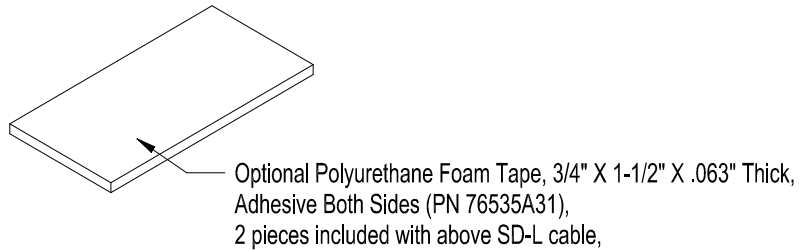
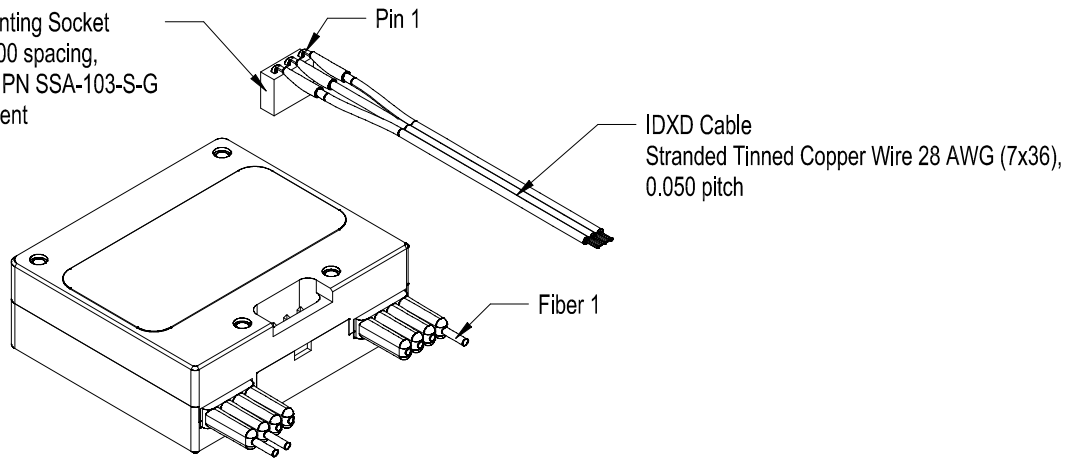


PCB Mounting Socket  
3 pin, 0.100 spacing,  
SAMTEC PN SSA-103-S-G  
or equivalent



Note: Above assembly is a modified "Switch Power Cable Assembly" PT028604A

## LUMINOS INDUSTRIES LTD

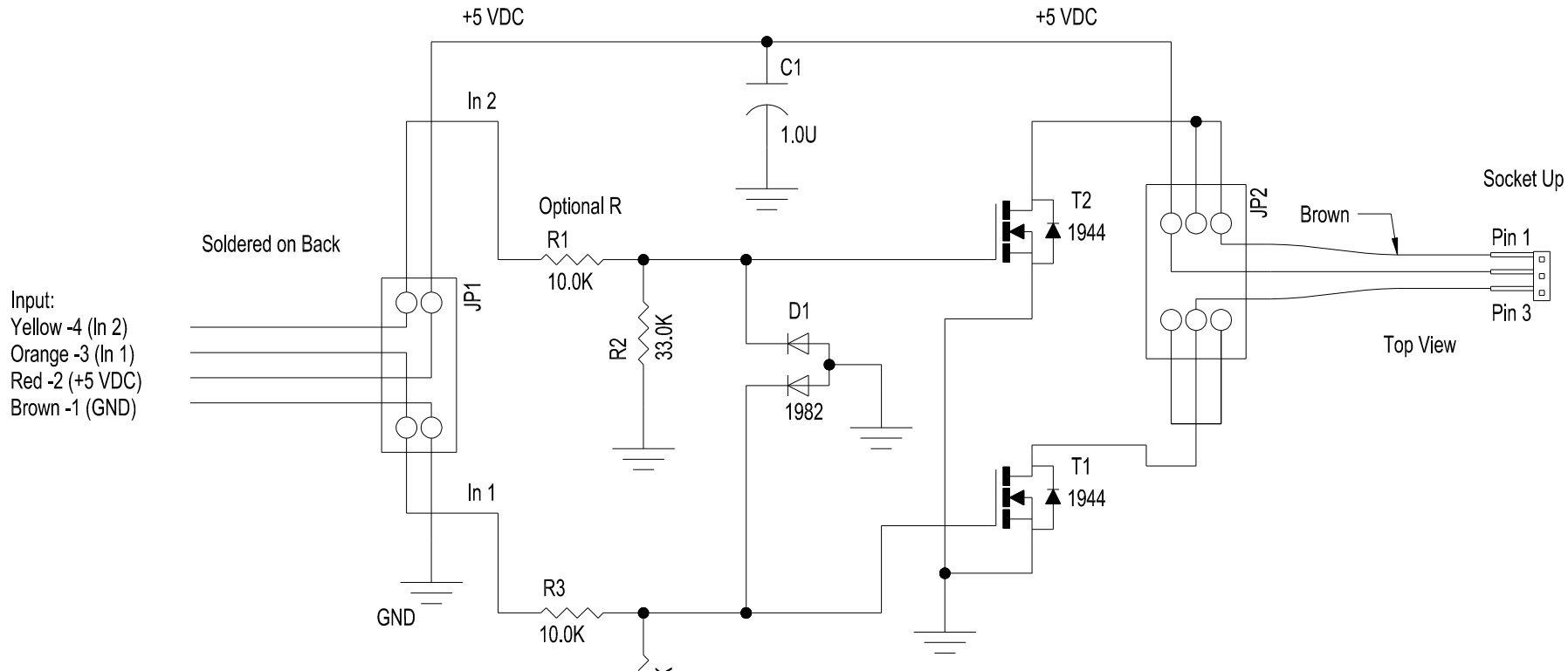
SD-L (Inline Switch Driver; Latching)

Material:  
Finish:

Tolerance:

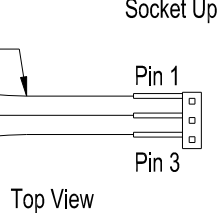
Company Proprietary

SIZE A	VIEW	PART NO.	PT053004A	REV A
SCALE 1	FILE	PT0530B.ckd	SHEET 1/2	JD



Input:  
 Yellow -4 (In 2)  
 Orange -3 (In 1)  
 Red -2 (+5 VDC)  
 Brown -1 (GND)

Soldered on Back

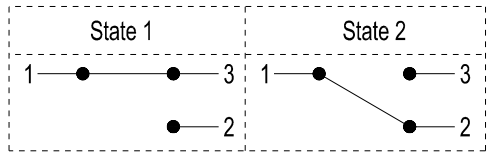


Resistors are 0805  
 Filter Cap is 1206

Electrical Connectivity (Input)

State 1				State 2			
Brown	Red	Orange	Yellow	Brown	Red	Orange	Yellow
Gnd	V+=5V	Control = +5	Control=0	Gnd	V+=5V	Control = 0	Control=+5

Fiber Connectivity (Optical Input) Eg: 1x2



R1, R3 are R: 1%:0805:10.0K  
 R2, R4 are R: 1%:0805:33.0K  
 1982 is a common anode 6.8V zener AZ23C678-7-F for ESD  
 1944 is 50 milliohm PMV40UN N chan 30 volt SOT-23 FET  
 Manufacturing holes, 2 places are GND

# LUMINOS INDUSTRIES LTD

SD-L (Inline Switch Driver; Latching)

Material:  
 Finish:  
 Tolerance:

Company Proprietary

SIZE A	VIEW	PART NO.	PT053004A	REV A
SCALE 1	FILE	PT0530B.ckd	SHEET 2/2	JD